

**Transistorised voltage divider assembly
for 51 mm (2") very fast tubes**

For tube types :

XP2020	51mm (2") very fast tubes, 12 stages
XP2020/Q	
XP2254B	
XP4222B	
XP4227B	

Operating conditions :

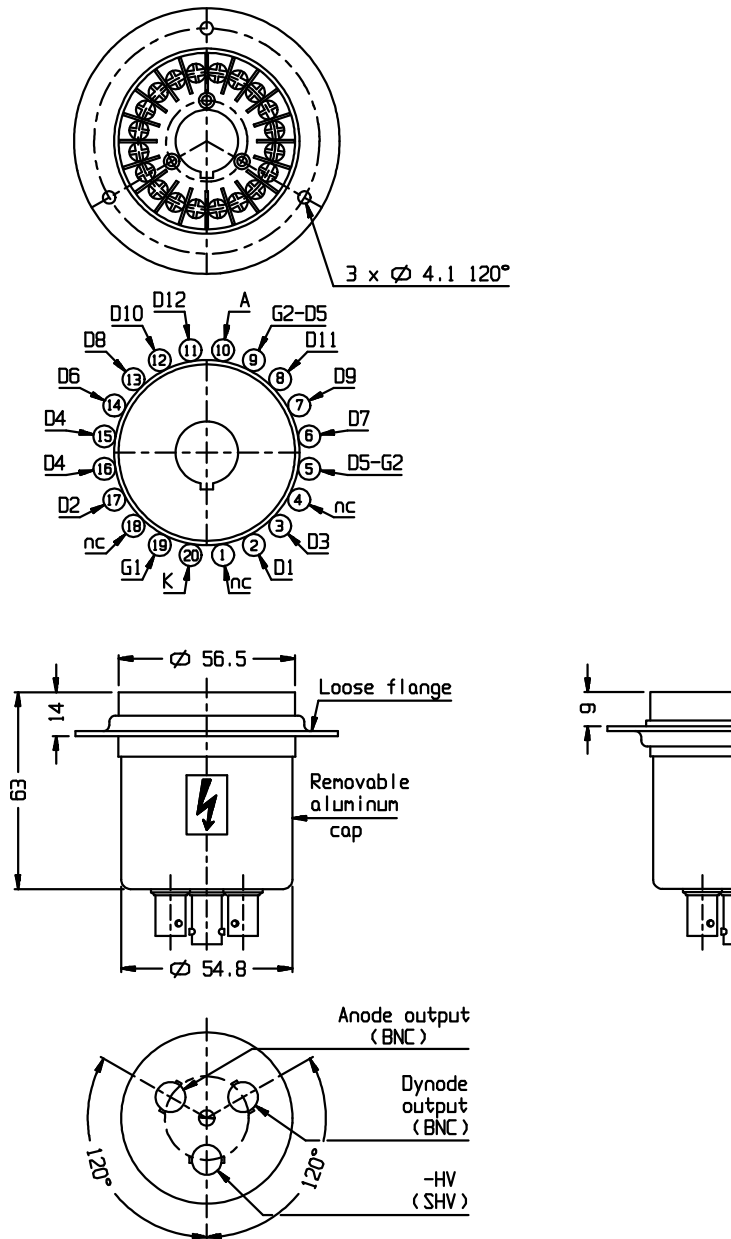
Output signal	DC or pulse output signal
Supply voltage	anode grounded (cathode at - HV)
Optimisation of	linearity, time and count rate characteristics (C type divider, see tube datasheet)

General characteristics :

Total divider static resistance	2.2	M Ω
Output load resistor	100	k Ω
Operating voltage	typ. 2500 max. 3000	V V
Dissipated power at max. voltage	4.0	W
Dynode voltage stability at typ. voltage ≤ 1 V	200	μ A

Caution :

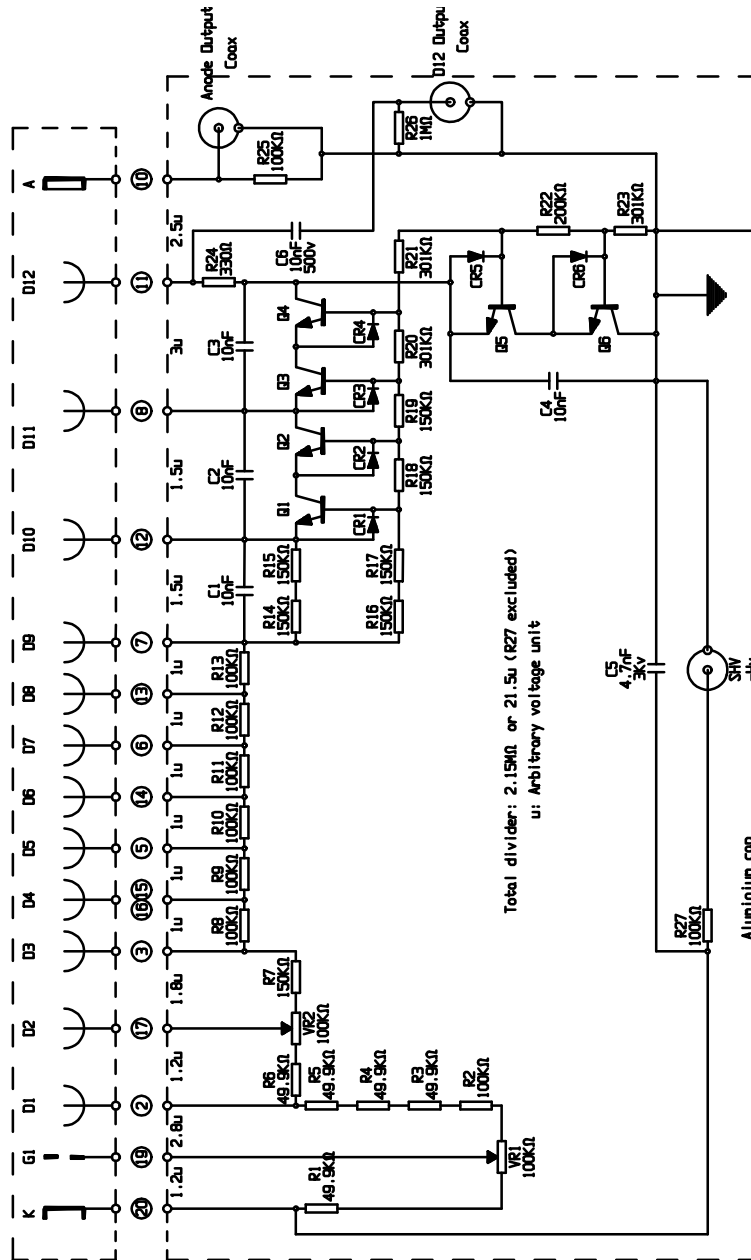
**This base assembly connects the glass envelope of the tube to high voltage.
Care should be taken to avoid electrical shock.**



Drawing reference : 99901501

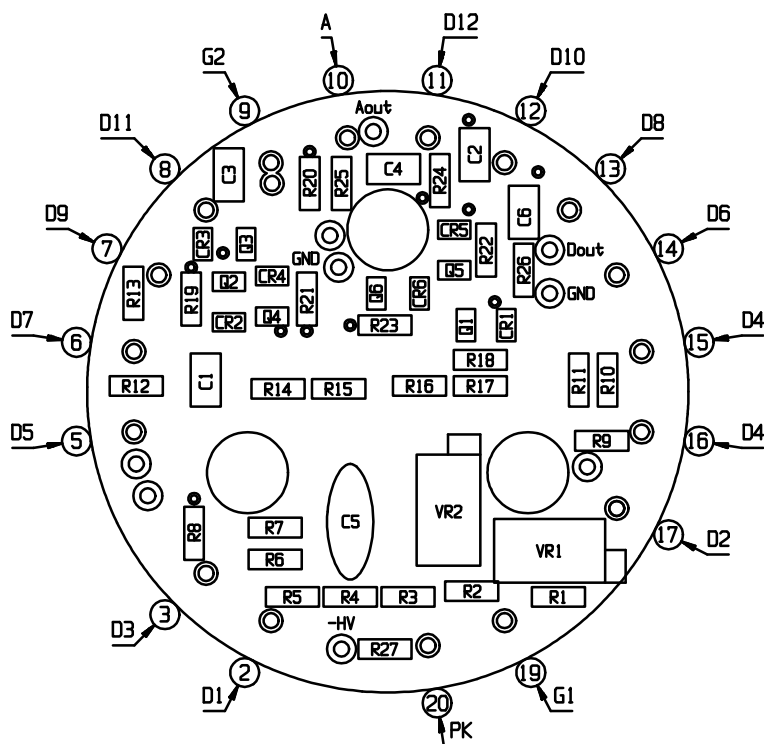
K : cathode - G1 : focusing electrode - G2 : accelerating electrode
 D1 ... D12 : dynodes 1 to 12 - A : anode
 nc : not connected

The flange can be mounted from the rear side as well



Drawing reference : 99901502

K : cathode - G1 : focusing electrode - G2 : accelerating electrode
 D1 ... D12 : dynodes 1 to 12 - A : anode
 Circled numbers are pin numbers
 VR1 is factory adjusted to 1.2 u and VR2 to 1.2 u from D1.
 For fine tuning remove the aluminium cap and adjust VR1 and VR2 with
 full cathode illumination



Drawing reference : 99901503

Circled numbers are pin numbers